

## Aluminum High Capacity Single Point Load Cell



Model 1250 is a single point load cell designed for direct mounting of large platforms.

The product is a cost-effective load cell for use on counting, weighing, bench or floor scale products.

This high accuracy load cell is approved to OIML R60, NTEP and other stringent approval standards. Suitable for use in hazardous environments, these load cells can be provided with European approval to EEx ia IIC T4 and are FM approved to class I, II, III, Division I.

### FEATURES

- Capacities 50 - 1000 kg
- Aluminum construction
- Single point 600 x 600 mm platform
- OIML R60 and NTEP approved
- Hazardous area approved to FM & EEx ia IIC T4
- IP67 Option available
- Available with metric or UNC threads

A special humidity-resistant protective coating assures long-term stability over the entire compensated temperature range.

The two additional sense wires, sample the bridge supply voltage at the load cell. Complete compensation of change on the in the lead wires resistance, due to temperature change and/or cable extension, is achieved by feeding this voltage into the appropriate electronics.

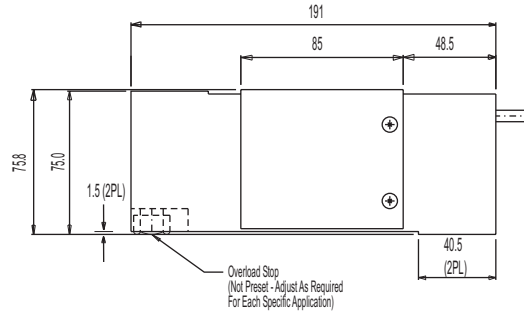
SPECIFICATION				
GRADE	E	C3**	C3.5***	UNITS
Rated Capacities	50, 75, 100, 150, 200, 250, 300, 500, 635, 1000****			kg
Rated Output	2.0 ± 10%			mV/V
Total Error*	0.030	0.020	0.020	± % of rated output
Zero Return after 30 mins	0.05	0.017	0.0142	± % of applied load
Temperature Effect: On Output On Zero	0.003	0.0010	0.0009	± % of applied load/°C
	0.010	0.0023	0.0024	± % of rated output/°C
Eccentric Load Error	0.005	0.0033	0.0028	± % of applied load/cm
Zero Balance	10.0			± % of rated output
Temperature Range: Operating Compensated	- 30 to + 70			°C
	- 10 to + 40			°C
Safe Overload at centre point	200			% of rated capacity
Ultimate Overload at centre point	300			% of rated capacity
Excitation: Recommended Maximum	10			Volts AC or DC
	15			Volts AC or DC
Input Impedance	415 ± 15			Ohms
Output Impedance	350 ± 3			Ohms
Insulation Impedance	> 2000			MegaOhms
Deflection at Rated Capacity	< 0.6			mm
Weight	2.4			kg
Construction	Anodized Aluminum			
Environmental Protection	IP65 (IP67 option)			
Cable	3 Meters (Standard), 6 Wire, Polyurethane Jacket, Dual Floating Screen			
Platform Size	600 x 600			

\*Total Error - According to OIML R60 \*\*Standard utilization factors available on request \*\*\*Standard 60% utilization note: 635 and 1000kg are not OIML approved \*\*\*\*1000kg recommended for centre loading only. Torque: 16Nm

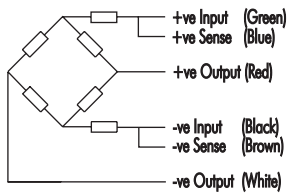
Aluminum High Capacity Single Point Load Cell

**DIMENSIONS** in millimeters

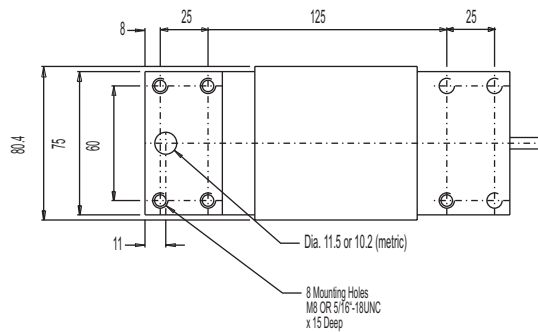
Outline Dimensions All Capacities



Wiring Schematic Diagram



BALANCED TEMPERATURE COMPENSATION



All dimensions in mm

**VISHAY TRANSDUCERS (VT) - SALES OFFICES**



**Contact Info**  
 E-mail: [info@liden-weighing.se](mailto:info@liden-weighing.se)  
 Website: [www.liden-weighing.se](http://www.liden-weighing.se)