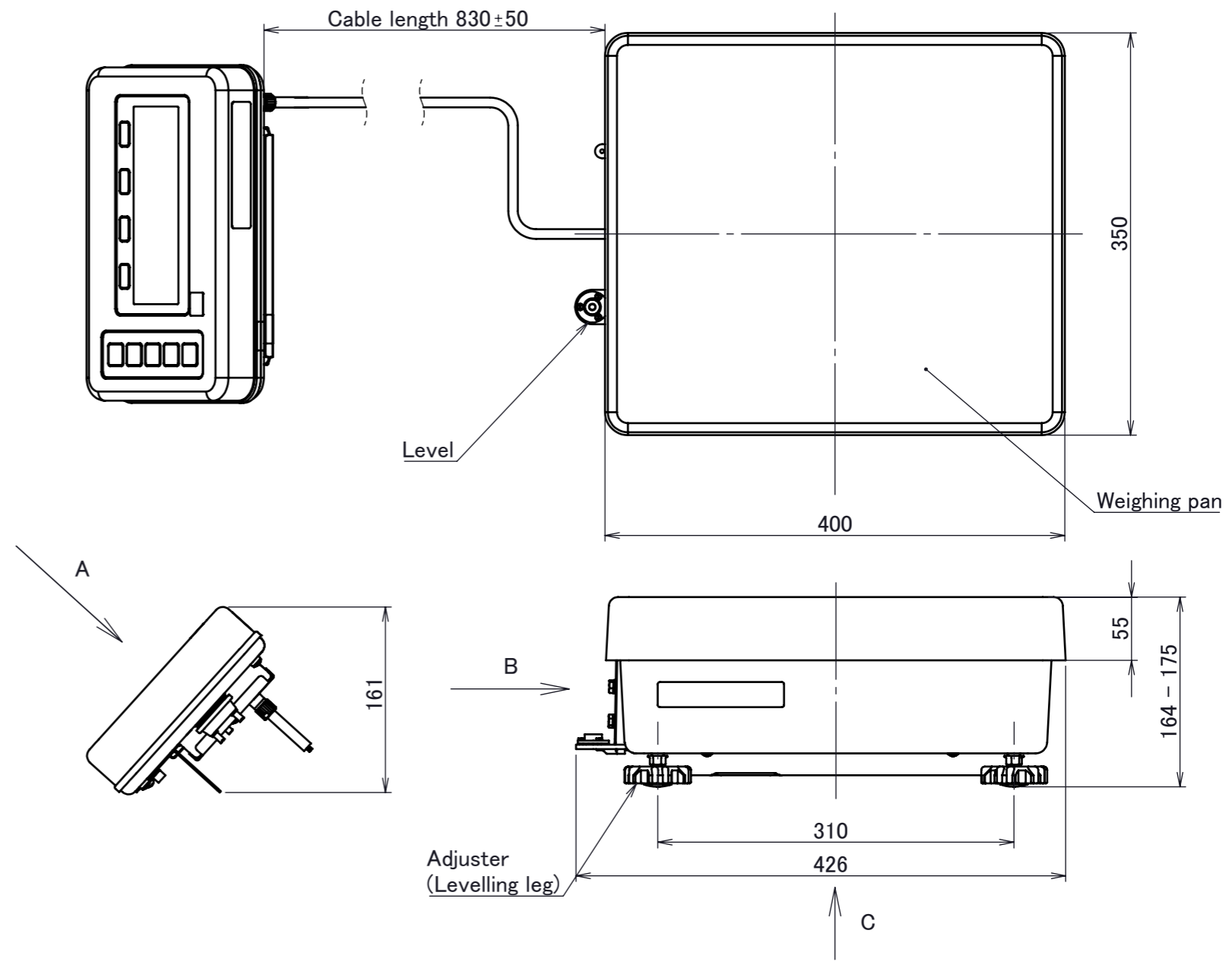
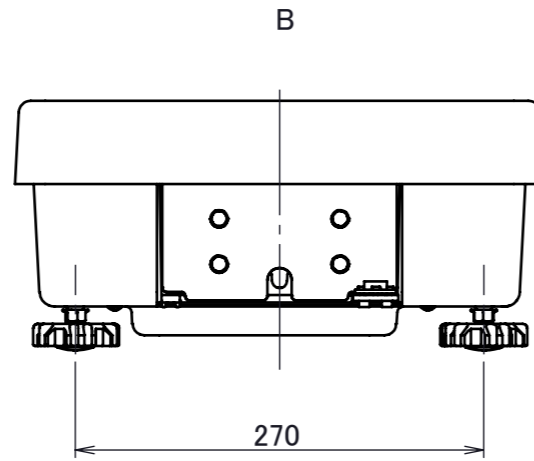
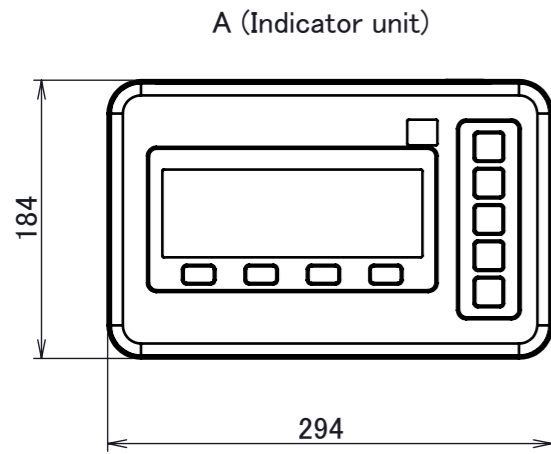
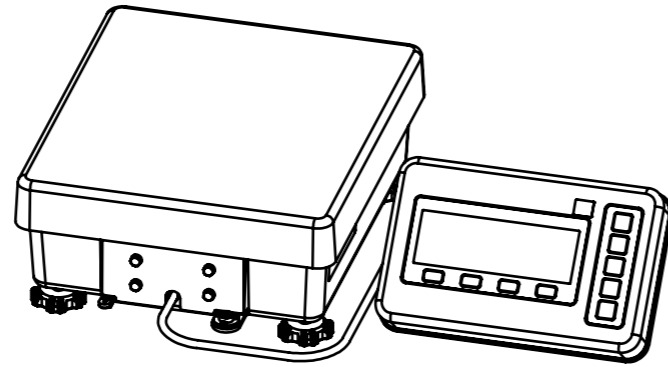
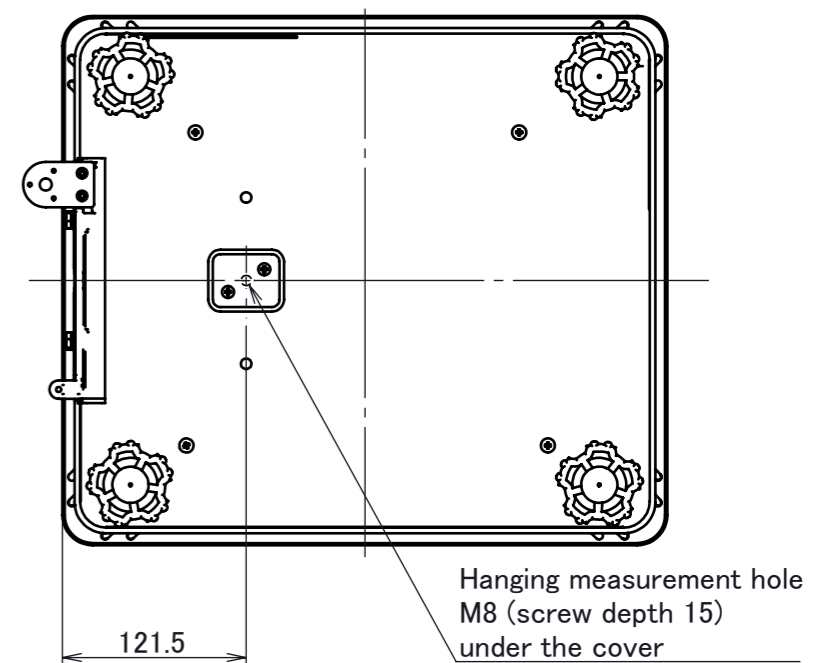
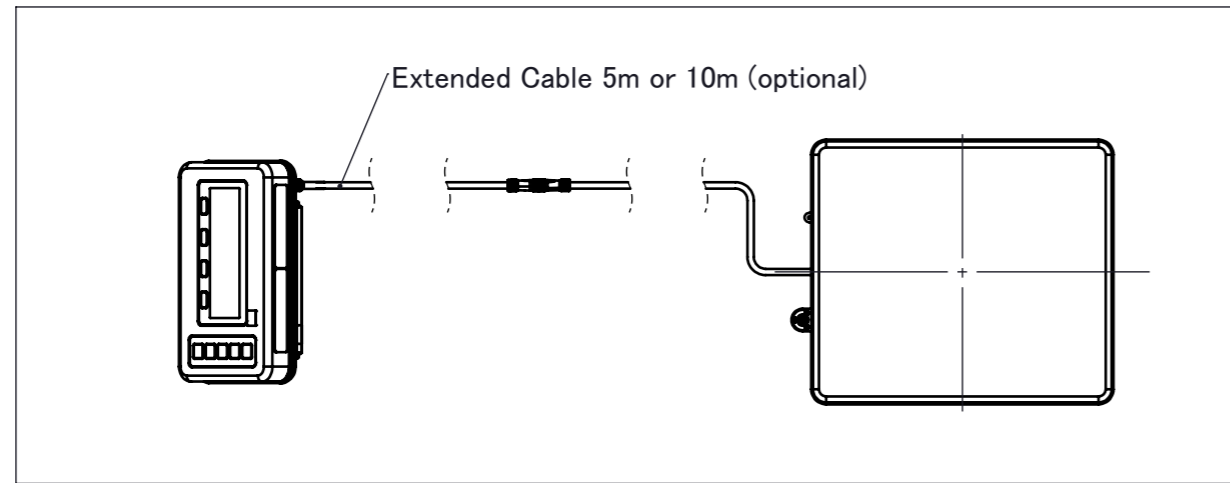


FMA(R) Series

FMA22K0.1S(R)
 FMA33K0.1S(R)
 FMA62K1S(R)
 FMA62K0.1S(R)

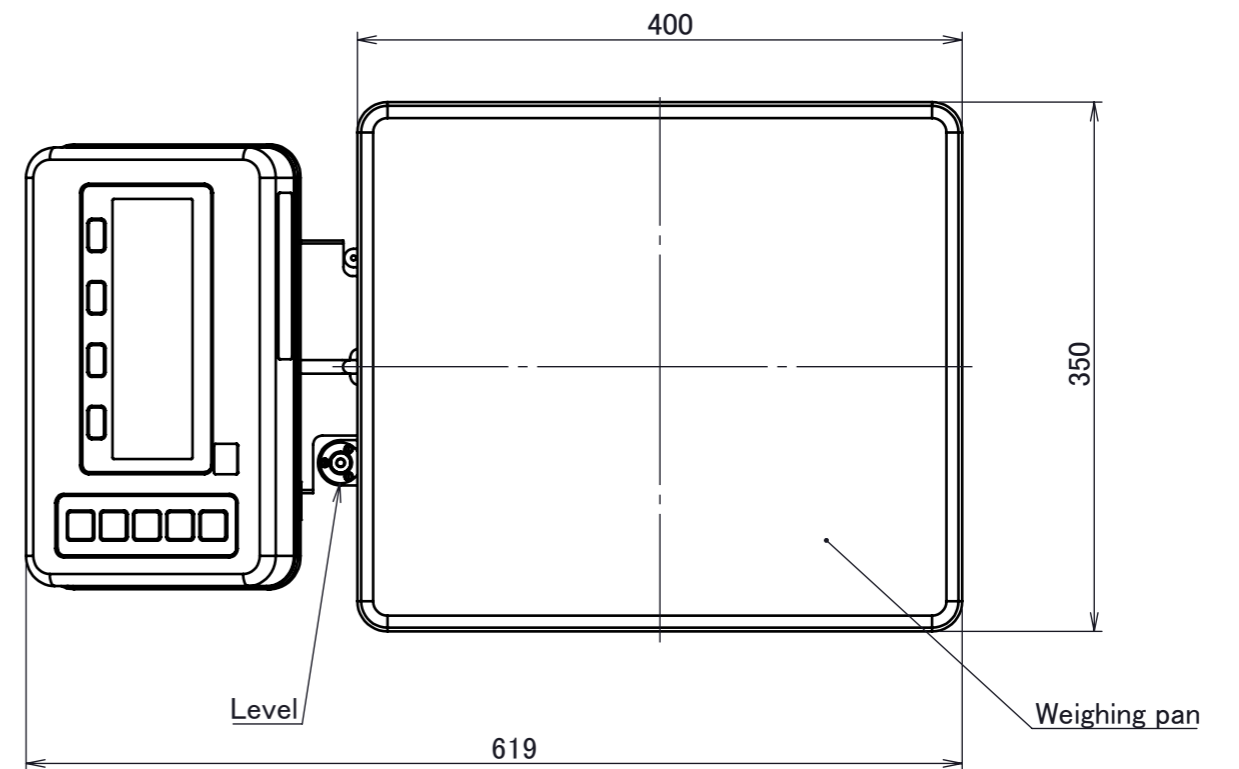
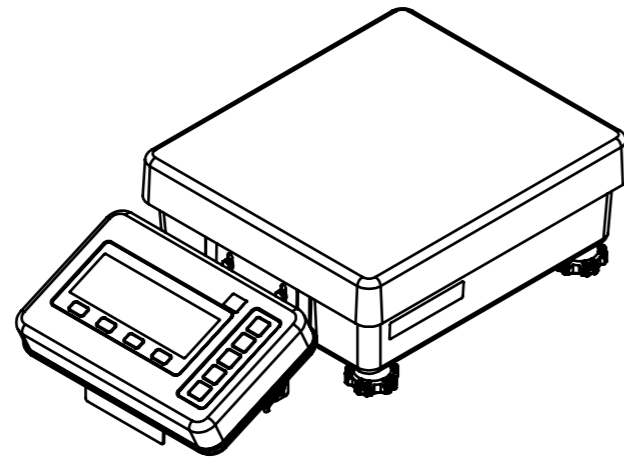


C (Hanger fitting mounting position)

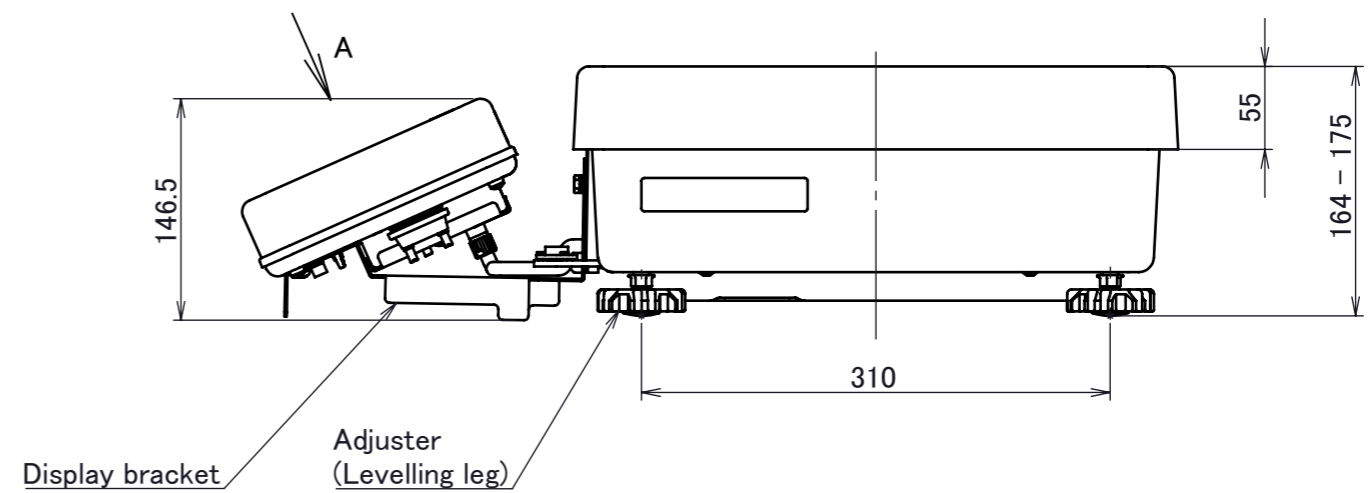
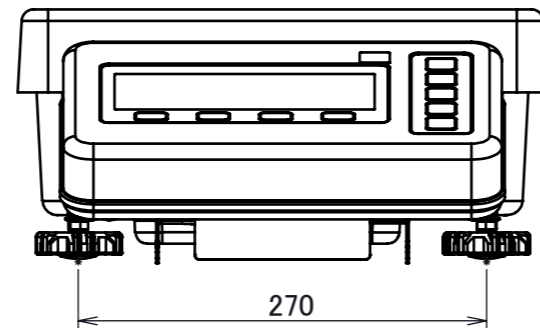
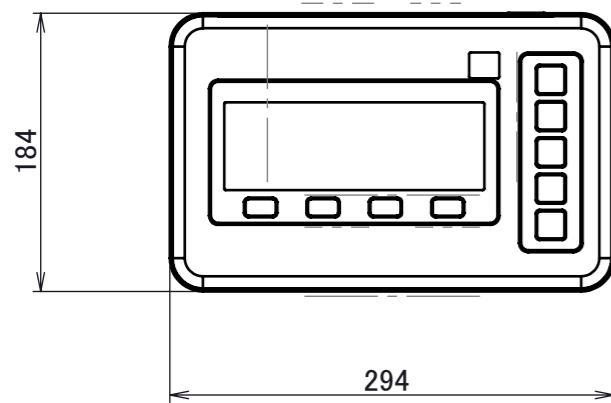


* Dimensions and appearance are subject to change without notice due to product improvements.

FMA (R) Series with Display bracket (optional)

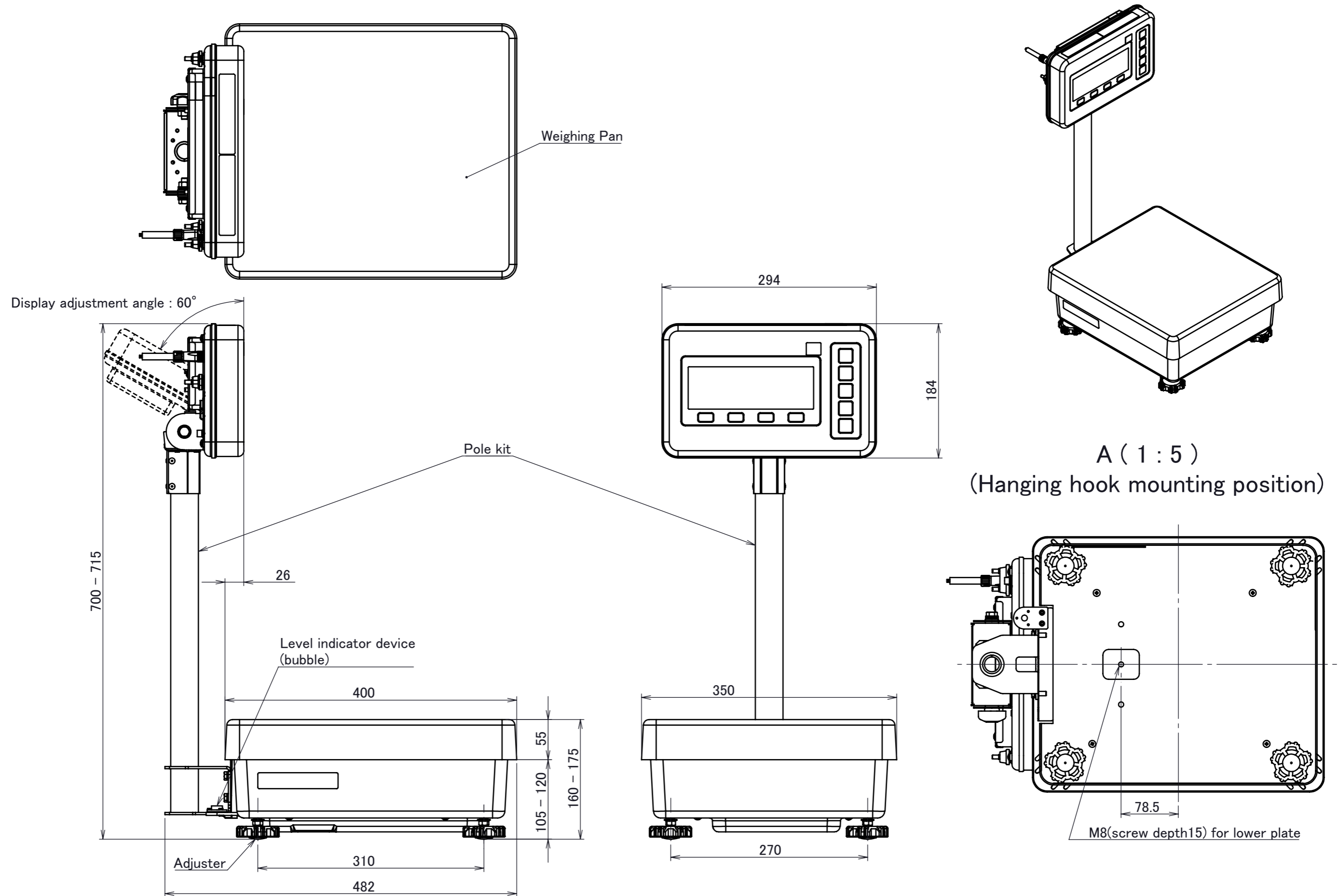


A (Indicator unit)



* Dimensions and appearance are subject to change without notice due to product improvements.

FMA(R) Series with Pole kit (optional)



* Dimensions and appearance are subject to change without notice due to product improvements.